

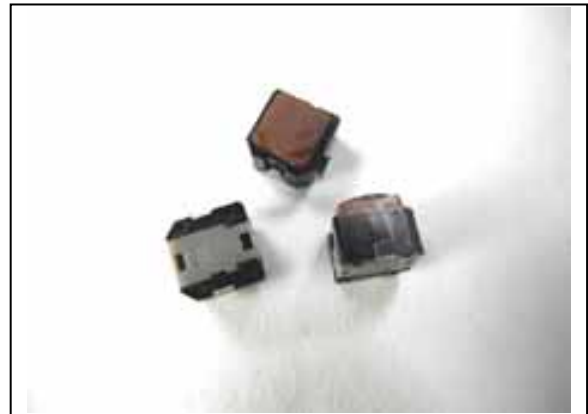


Rubber Push Momentary Switch

P514 series

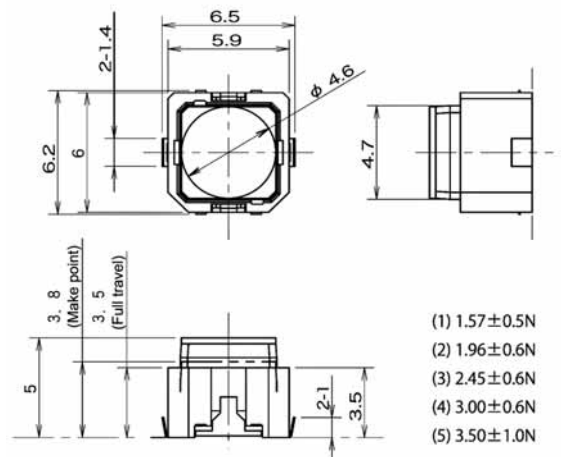
Feature

- Miniature size
- Five force choices
- Metal contact – Long Life
- Wide operating temp. range
- Self cleaning



Application

- Lighting control
- Motor control



Specifications

Operating Temperature Range	-40 to 90
Rated Voltage	2.7 ~ 16V DC
Rated current	0.027 ~ 50mA
Travel	3.8mm
Contact resistance	200m max.
Operating force	1.57 ~ 3.50N.cm
Total five types by force	1.57N, 1.91N, 2.45N, 3.0N, 3.5N
Life	100,000 cycles min.