



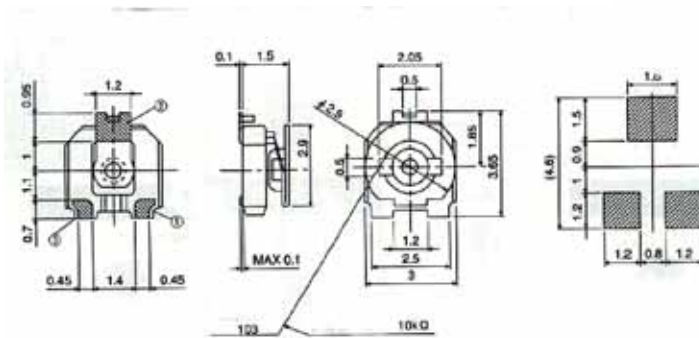
CHIP METAL GLAZE SEMI-FIXED POTENTIOMETER TMC 3K SERIES

Feature

- Small and thin.
- High reliability
- + (TMC3KJ) and - (TMC3K) adjusting knob is available.
- Reflow solderable.



Specification



Operating Temp.	-55° C ~ 125° C
Rated power	0.1W
Operating Voltage	20V AC, 20V DC
Resistance value	100 ~ 2.2 M
Taper	B
Residual resistance	3 max. or less than 1% of total resistance
Thermal coefficient	+/-250 ppm/° C
Rotating angle	endless
Torque	1-20 mM.m