



Metal Coil

SESM05 • 07 series

Features

- Excellent DC superposition.
- Small inductance fluctuation regardless frequency.
- Very small radiation noise
- Inductance $1 \mu\text{H} \sim 10 \mu\text{H}$

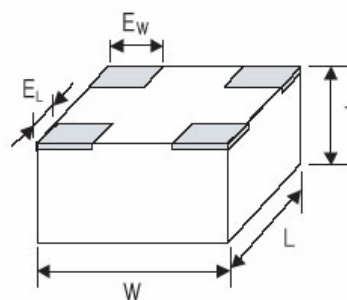
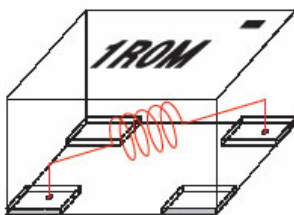
Application

- Analog/Digital Low pass filter
- DC/DC converter choke coil
- AC/DC switching power supply



Dimensions

shape / size



shape	size				
	L	W	T	EL	EW
5×5	5,0±0,2	5,0±0,2	depends on spec	1,6±0,2	1,6±0,2
7×7	7,0±0,2	7,0±0,2		2,3±0,2	2,3±0,2
10×10	10,0±0,2	10,0±0,2		2,8±0,2	2,8±0,2
12,5×12,5	12,5±0,2	12,5±0,2		3,2±0,2	3,2±0,2