



Non Contact Hall IC Angle Sensor

HTP-101

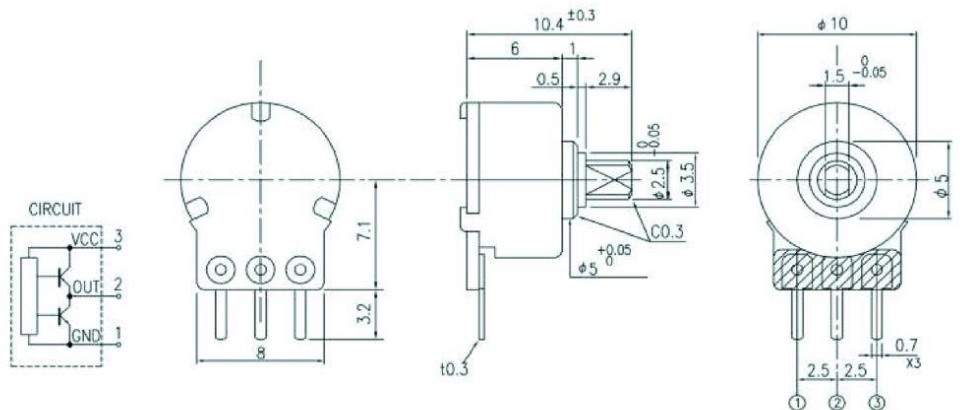
Feature

- $\pm 120^\circ$ rotation.
- No Noise
- Long life
- Programmable effective angle
- Calibration from terminal is possible.



Application

- Robotics
- Game machine



Specification

Effective Rotation Angle	$\pm 120^\circ$
Rotation Angle	Endless
Output range	10~90% V_{in}
Power supply	5V DC
Operating Life	10 million cycles
Linearity	$\pm 3\%$ max.
Resolution	12 bit
Operating Temp.	$-40^\circ \sim +140^\circ\text{C}$