



Potentiometer With Rotary Switch

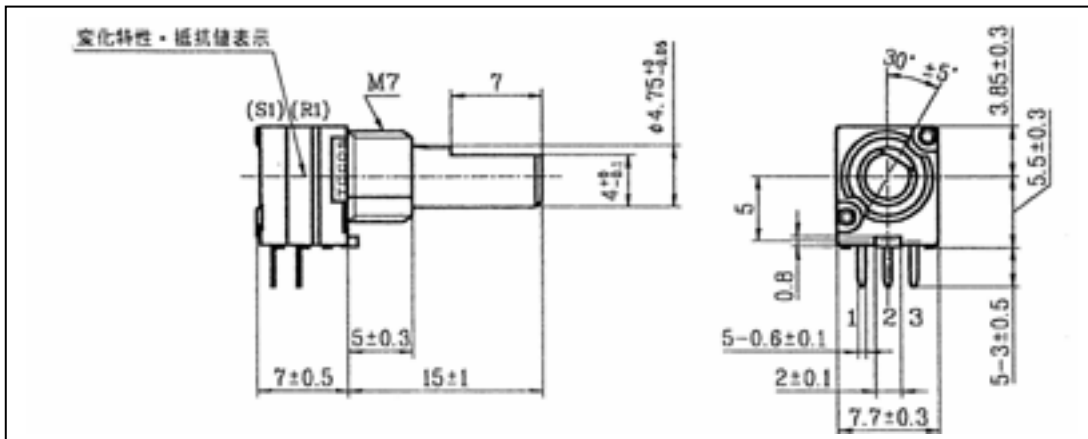
TP7A

Feature

- Slim & Small size (7mm)
- Water proof IP67(option)

Application

- Car audio
- Audio equipment



Specifications

Operating Temperature Range	-10 to 70
Rated Power	0.05W
Maximum Operating Voltage	10V DC, 50V AC
Power ratings	0.05W
Switch	SPST
Switch ratings	10V DC 0.1A
Resistance value range	2K ~ 1M (Taper B) , 5 ~ 500K (Taper A)
Total Resistance Tolerance	+/- 20%
Resistance Taper	A, B
Rotating torque	2.0 ~ 24.5 mNm
Life	15,000 cycles
Total Rotation Angle/Travel	300+/- 5 °