



## Attenuator

### 2CP-2531WS

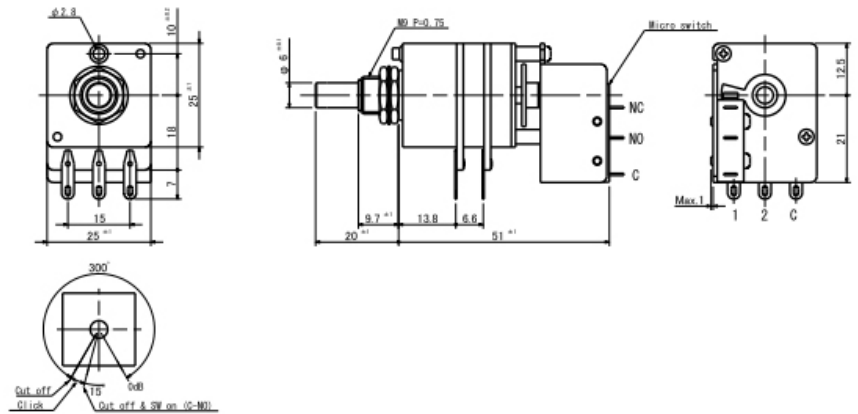
#### Features

- High reliability conductive resistor paste
- Micro switch built in



#### Application

- Measuring equipment
- Audio equipment
- Medical appliances



#### Specifications

Circuit	Unbalanced Ladder
Resistance Value	10k, 50k, 100k $\Omega$
Attenuation step	2dB max. (20 steps)
Attenuation tolerance	0~10dB: +/-1.0dB, ~30dB: +/-2.0dB, ~42dB: +/-3.0dB,
Input Power	0.1W max.
Resistance Tolerance	+/-20%
Life	100,000 cycles min.
Rotation angle	315 +/- 2° (300° attenuation. 15° switch)
Step angle	15 +/- 1°
Operating Temperature	-10 ~ 70°C
Micro Switch	AC125V 5A, AC250V 3A (Omron SS-5GL13)