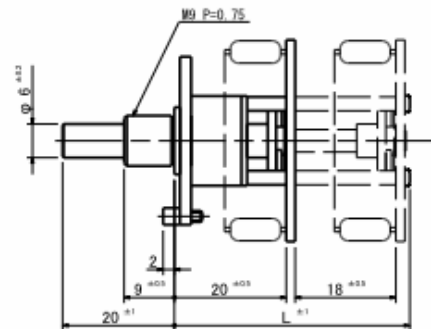
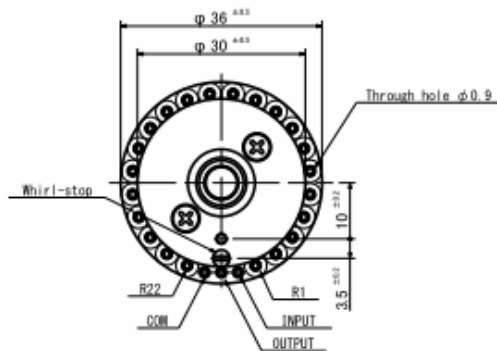




## Attenuator 36R Series

### Features

- Fine control steps
- Gold plated rotary switch



### Application

- Measuring equipment
- Audio equipment
- Medical appliances

### Specifications

|                       |                                    |
|-----------------------|------------------------------------|
| Circuit               | Potentiometer 1 or 2 circuit       |
| Attenuation step      | 60dB max. (2.0 dB/step)            |
| Attenuation tolerance | +/-0.3dB                           |
| Impedance             | 10k $\Omega$ . 100k $\Omega$ +/-3% |
| Input Power           | 0.5W max.                          |
| Frequency range       | DC ~ 20KHz                         |
| Life                  | 30,000 cycles min.                 |
| Rotation angle        | 330+/-2°                           |
| Step angle            | 15+/-1°                            |
| Operating Temperature | -10 ~ 70                           |