

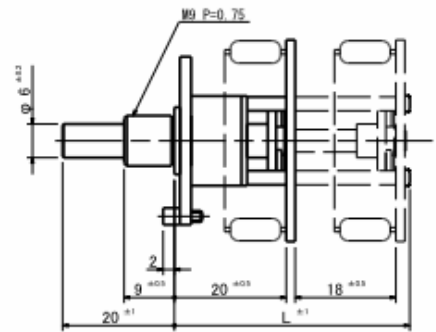
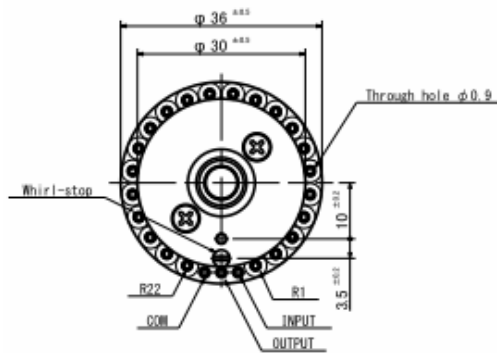


Attenuator

36R Kit Series

Features

- Solder resistors by yourself
- Low cost
- Resistors set included.
- Fine control steps
- Gold plated rotary switch



Application

- Measuring equipment
- Audio equipment
- Medical appliances

Specifications

Circuit	Potentiometer 1 or 2 circuit
Attenuation step	60dB max. (2.0 dB/step)
Attenuation tolerance	+/-0.3dB
Impedance	10kΩ. 100kΩ +/-3%
Input Power	0.5W max.
Frequency range	DC ~ 20KHz
Life	30,000 cycles min.
Rotation angle	330+/-2°
Step angle	15+/-1°
Operating Temperature	-10 ~ 70