



FUSING RESISTOR

LN1

Features

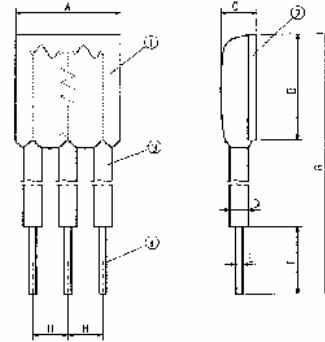
Non recovering fusing off function.

Complete circuit protection.

UL approved.(file No. :E106175)



	Material
1	Epoxy resin
2	Ceramic plate
3	Lead wire
4	Sn plated soft copper wire



Dimensions

A	B	C	D	E	F	G	H
7.5+/-0.5	7.9+/-0.5	2.9 max	(1.33)	24 AWG	3.0+/-1.5	36+/-3	(2.5)

Applications

Rechargeable Battery pack .